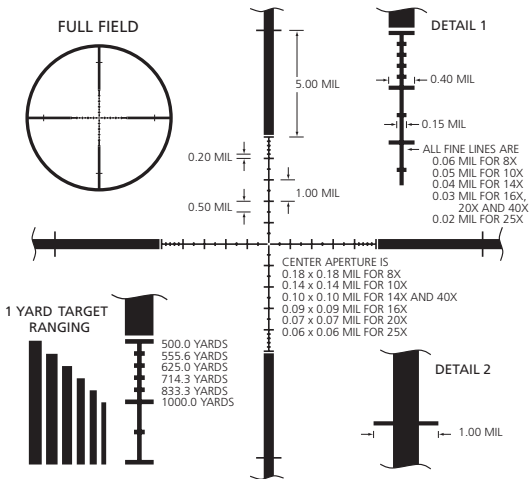


# TACTICAL MILLING RETICLE SUBTENSIONS



@100 YARDS

5.0 mil = 18.000"  
 1.0 mil = 3.600"  
 0.5 mil = 1.800"  
 0.4 mil = 1.400"

0.20 mil = 0.720"  
 0.15 mil = 0.54"  
 0.10 mil = 0.360"  
 1.0 mil = 3.438 Minutes of Angle = 3.600"