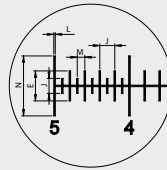
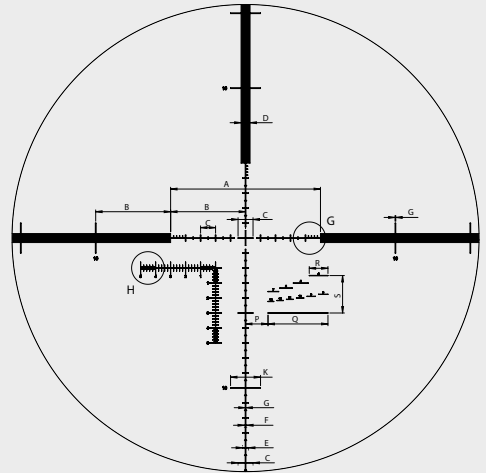


Your STEINER riflescope will provide reliable performance given reasonable care and treatment. All moving assemblies are permanently lubricated. Only occasional cleaning of the outside of the scope and the exterior lenses is required.

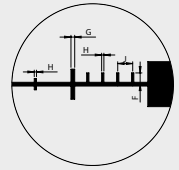
Never disassemble your scope. Disassembly by anyone other than the manufacturer will void the warranty. If you have any other problems with the STEINER riflescope, return it to the factory for repair.

For further information, please visit our web site at www.steiner-military.com.

MSR RETICLE



H

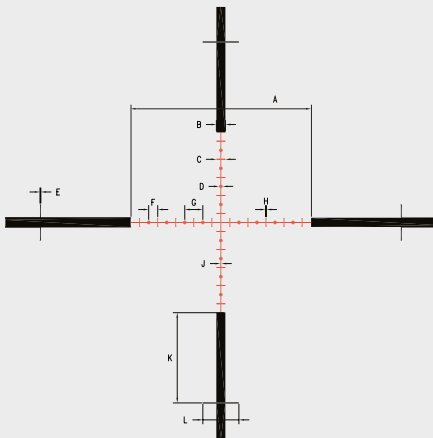


G

MSR RETICLE SUBTENSIONS

UNITS	mrad	in/100 yd.	cm/100 m
A	10.0	36.0	100.0
B	5.0	18.0	50.0
C	1.0	3.6	10.0
D	0.6	2.17	6.0
E	0.4	1.45	4.0
F	0.15	0.55	1.5
G	0.05	0.18	0.5
H	0.03	0.11	0.3
J	0.2	0.72	2.0
K	1.0	3.6	10.0
L	0.02	0.07	0.2
M	0.1	0.35	1.0
N	0.8	2.87	8.0
P	1.5	5.4	15.0
Q	4.0	14.4	40.0
R	1.25	4.5	12.5
S	2.5	9.0	25.0

G2B MIL DOT ILLUMINATED RETICLE



G2B MIL DOT RETICLE SUBTENSIONS

UNITS	mrad	in/100 yd.	cm/100 m
A	10.0	36.0	100.0
B	0.5	1.8	5.0
C	0.5	1.8	5.0
D	0.2	0.72	2.0
E	0.06	0.22	0.6
F	0.5	1.8	5.0
G	1.0	3.6	10.0
H	0.06	0.22	0.6
J	0.06	0.22	0.6
K	5.0	18.0	50.0
L	2.0	7.2	20.0