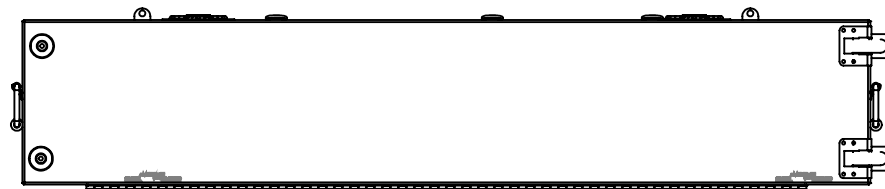
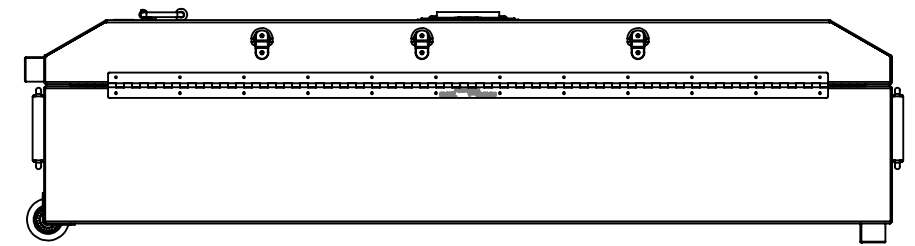
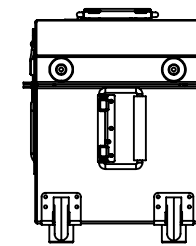
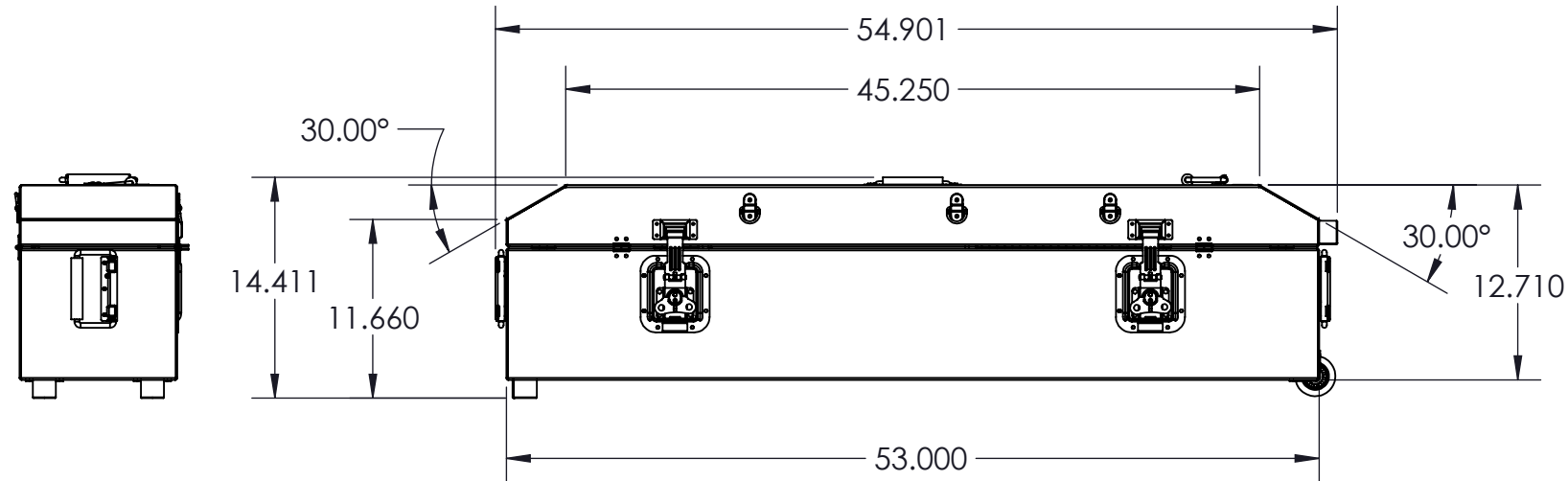
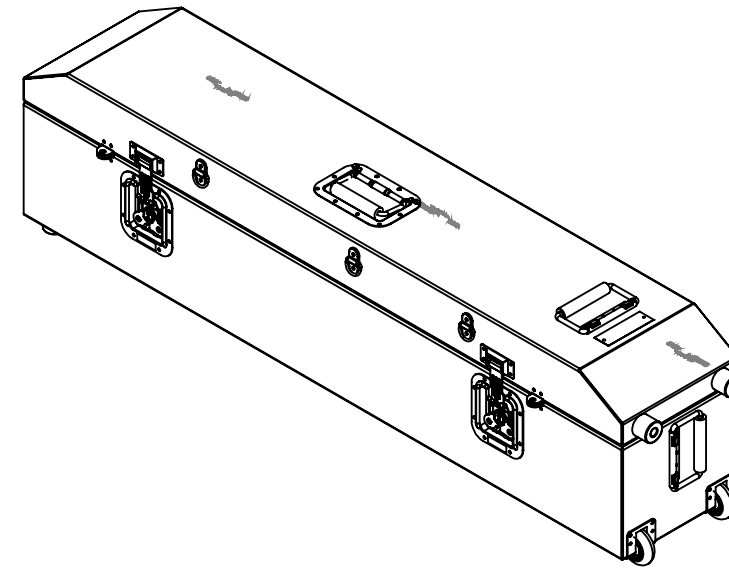
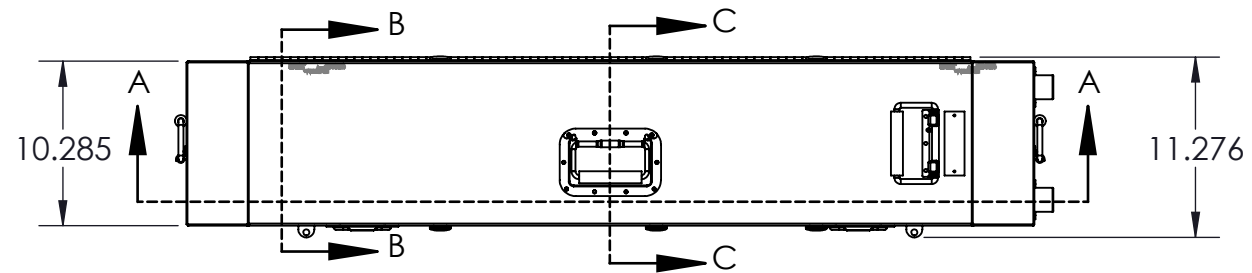


ITEM NO.	PART NUMBER	DESCRIPTION	REV.	USAGE	QTY.
1	AT-ZANTC-001-Base	0.080" - 5052-H32	1	13.58	1
2	AT-ZANTC-001-Door Plate	0.080" - 5052-H32	1	0.62	2
3	AT-ZANTC-001-End Wall Plate	0.080" - 5052-H32	1	0.14	2
4	AT-ZANTC-001-Lid	0.080" - 5052-H32	1	8.51	1
5	AT-ZANTC-001-Lid Compartment Velcro Plate	0.080" - 5052-H32	1	0.1	2
6	AT-ZANTC-001-Lid Inner Wall	0.080" - 5052-H32	1	0.35	2
7	AT-ZANTC-001-Divider	0.500" Ester Foam On 0.125" Duron Center	1	-	1
8	AT-ZANTC-001-Foam, Lid Center	1.000"- EsterFoam (Soft)	1	2.1	1
9	AT-ZANTC-001-Foam, Under Center	1.000"- EsterFoam (Soft)	1	0.95	2
10	AT-ZANTC-001-Foam, Base Front	1.000"- EthaFoam 1.7# (Hard)	1	3.59	1
11	AT-ZANTC-001-Foam, Base Rear	1.000"- EthaFoam 1.7# (Hard)	1	3.71	1
12	AT-ZANTC-001-Foam, Door Plate	1.000"- EthaFoam 1.7# (Hard)	1	0.42	2
13	AT-ZANTC-001-Foam, Lid Comartment FR1	1.000"- EthaFoam 1.7# (Hard)	1	0.31	4
14	AT-ZANTC-001-Foam, Lid Comartment Side1	1.000"- EthaFoam 1.7# (Hard)	1	0.12	2
15	AT-ZANTC-001-Foam, Lid Comartment Side2	1.000"- EthaFoam 1.7# (Hard)	1	0.25	2
16	AT-ZANTC-001-Foam, Lid Front Rear	1.000"- EthaFoam 1.7# (Hard)	1	0.73	2
17	AT-ZANTC-001-Foam, Base Left	1.000"- EthaFoam 1.7# (Hard)	1	0.18	2
18	AT-ZANTC-001-Foam, Base Right1	1.000"- EthaFoam 1.7# (Hard)	1	0.18	1
19	AT-ZANTC-001-Foam, Base Right2	1.000"- EthaFoam 1.7# (Hard)	1	0.18	1
20	AT-ZANTC-001-Foam, Base Side Top Left	1.000"- EthaFoam 1.7# (Hard)	1	0.16	1
21	AT-ZANTC-001-Foam, Base Side Top Right	1.000"- EthaFoam 1.7# (Hard)	1	0.16	1
22	AT-ZANTC-001-Foam, Under Barrel	3.500"- EthaFoam 1.7# (Hard)	1	0.36	2
23	AT-ZANTC-001-Foam, Under Stock	3.500"- EthaFoam 1.7# (Hard)	1	0.08	2
24	HW-LA-43958	5" Recessed Latch, Padlockable	1	-	2
25	HW-LA-4338	Latch Catch	1	-	2
26	HW-CA-AM800 - AT	Low Profile Recessed Caster	1	-	2
27	Luggage System Tag	Luggage Tag	1	-	1
28	HW-MI-643	Luggane System D-Ring	1	-	6
29	HW-AT-EYELET-PADLOCK	Padlocking Eyelet, Large	1	0.01	4
30	HW-HA-112AM	Recessed Handle	1	-	1
31	HW-FT-16059	Rubber Foot, Tall	1	-	4
32	MSVT1333	Santoprene	1	-	1
33	AT-Safari-Velcro	Sticky Backed Velcro	1	0.09	2
34	HW-HI-ACH09	Stock Aluminum Hinge, 9"	1	-	2
35	HW-HI-ACH45	Stock Aluminum Hinge, 45"	2	-	1
36	HW-HA-149800	Surface Mount Handle	1	-	3

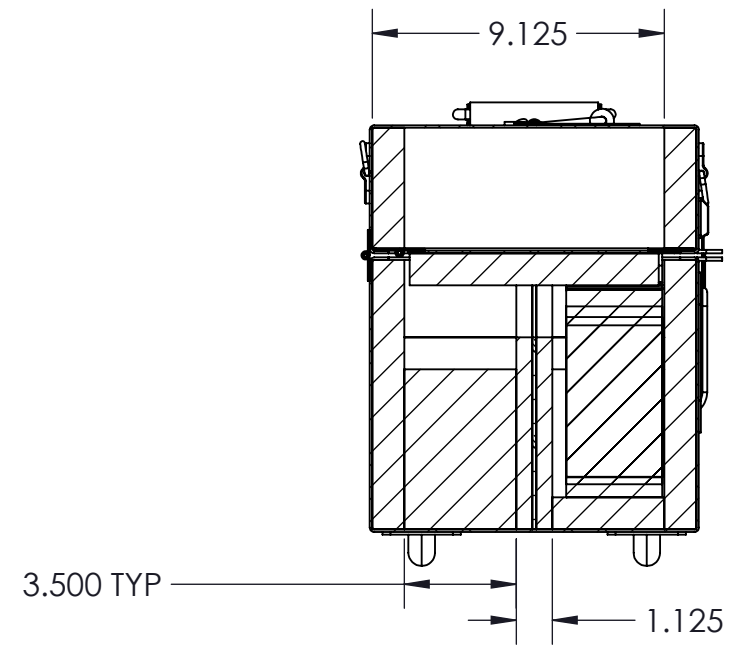
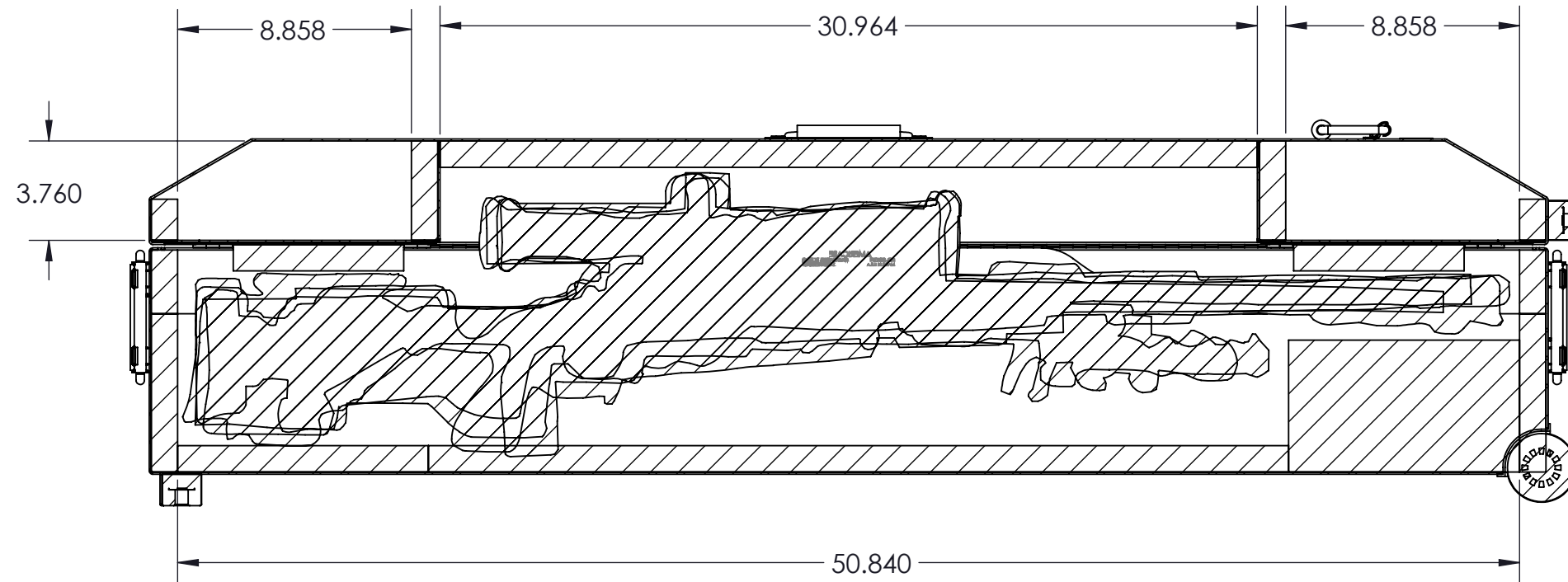
REV. MAJOR	REV. MINOR	DESCRIPTION	DATE	APPROVED
A	1	ORIGINAL DRAWING RELEASE	5/16/17	PG
REVISIONS				
THE INFORMATION IN THIS DRAWING IS THE SOLE PROPERTY OF AMERICASE, INC. ANY REPRODUCTION AND/OR FABRICATION IS PROHIBITED WITHOUT THE WRITTEN PERMISSION OF AMERICASE.				

Drawn By: PG	Date: 04/24/17			
Approved By: CW	Date: MM/DD/YY	Title: CUSTOM AT-2GUN-T XL SAFARI CASE		
<b>UNLESS OTHERWISE SPECIFIED:</b> ALL DIMENSIONS ARE IN INCHES.		Drawing Number: AT-ZANTC-001		
<b>TOLERANCES:</b> DECIMALS .X +/- .1" .XX +/- .03" .XXX +/- .010"		ANGULAR +/- 2 deg		
Size: B	Scale: 1:12	CAGE: 1RL92	Rev: A	Sheet: 1 of 15

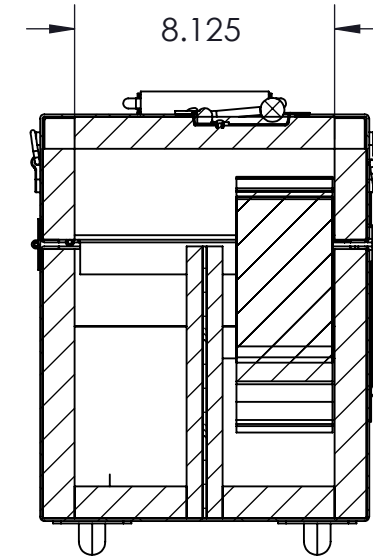


THE INFORMATION IN THIS DRAWING IS THE SOLE PROPERTY OF AMERICASE, INC. ANY REPRODUCTION AND/OR FABRICATION IS PROHIBITED WITHOUT THE WRITTEN PERMISSION OF AMERICASE.

Drawing Number:				
AT-ZANTC-001				
Size:	Scale:	CAGE:	Rev:	Sheet:
B	1:12	1RL92	A	2 of 15



SECTION A-A  
ROTATED 90° FOR CLARITY



SECTION C-C

THE INFORMATION IN THIS DRAWING IS THE SOLE PROPERTY OF AMERICASE, INC. ANY REPRODUCTION AND/OR FABRICATION IS PROHIBITED WITHOUT THE WRITTEN PERMISSION OF AMERICASE.

Drawing Number: AT-ZANTC-001				
Size: B	Scale: 1:6	CAGE: 1RL92	Rev: A	Sheet: 3 of 15